

DOMESTIC PRESSURE REGULATOR SET 737 LE-HD/S-ES FOR CO₂

Complete solution - own medium controlled



High-performance stainless steel dome-loaded pressure regulator-set.

For high and varying flows requiring maximum pressure stability.

A complete solution, applicable as a manifold pressure regulator per DIN EN ISO 7291.

Features

- **Pilot Control Tube (PCT)**
One of the features enabling highly accurate control of outlet pressure
- **Balanced Seat Design (BSD)**
Further enabling control precision, high reliability and low maintenance
- **A complete solution, ready to use**
With integrated pilot pressure regulator, and stainless steel pressure gauges, completely assembled and tested
- **Own-medium controlled**
Enabling autonomous operation
- **Closed system**
No gas is released to atmosphere
- **Simple to install and operate**
Removable spindle enables simple setting of the required outlet pressure
Can be positioned at any angle / orientation
For indoor and outdoor installation

Operation / Usage

Ideal for process gas supply where pressure accuracy is required even when inlet pressures and flow rates are varying.

High flow rates and outlet pressure accuracy are achieved, even when the difference between inlet and outlet pressures is small.

Own-medium controlled, with integrated pilot gas regulator, meaning no separate gas supply is required.

Also suitable for various aggressive and toxic gases.

Maintenance

Depending on application, moving wetted parts may need replacement every 1-3 years.

For this we offer our Maintenance Set with original spare parts.

Options

- Lockable spindle cap
- Maintenance Set

Approvals

Company certified according to ISO 9001, ISO 22000 and PED 2014/68/EU Module H

CE-marked according to PED 2014/68/EU

ATEX 2014/34/EU with ignition hazard analysis according to EN 1127-1, DIN EN 13463-1 and ZH1/200

Analysed for Food Safety per HACCP-Analysis

Fulfills the requirements of EU Regulations (EC) 1935/2004, and (EC) 2023/2006

Fulfills the requirements of German Food and Feed (LFGB) Law, and is suitable for contact with food gases

Available upon request

Certificates and test reports

Other Dome types

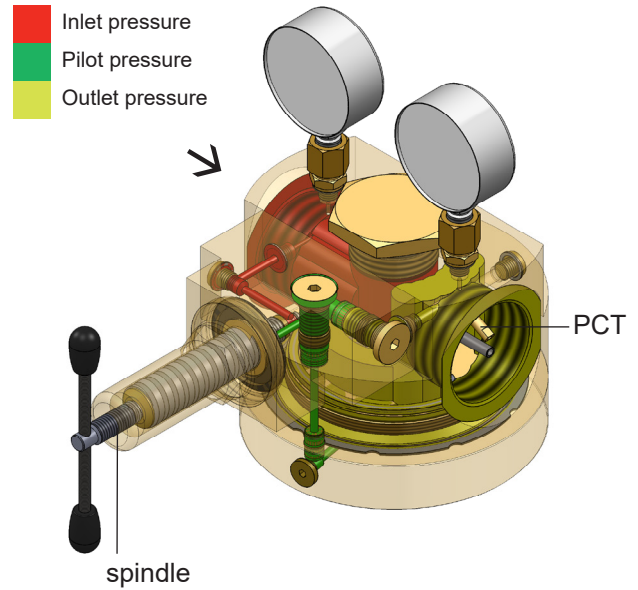
Switchover systems / parallel supply systems

Customer-specific / customised versions

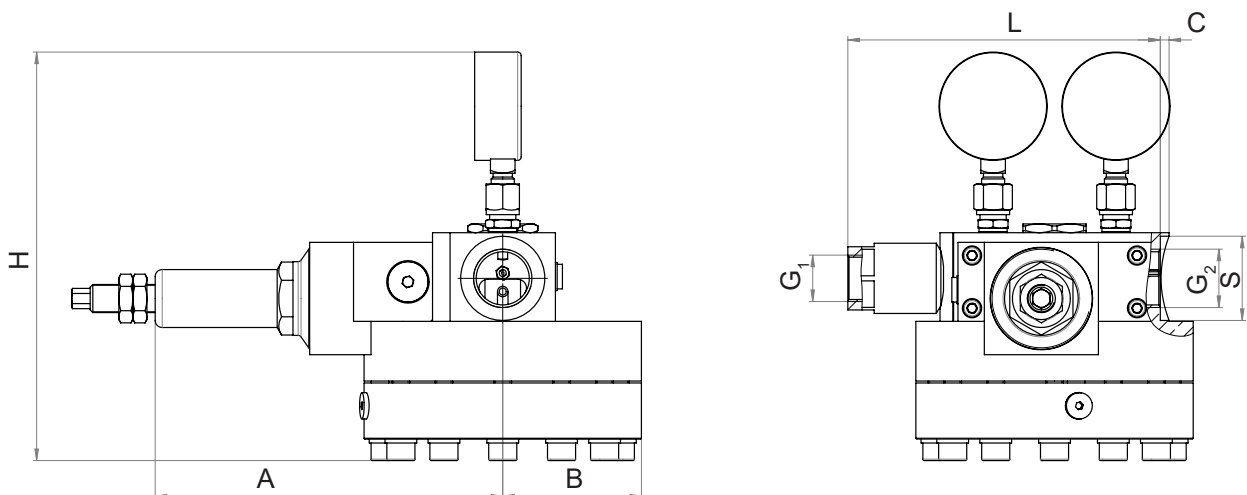
DOMESTIC PRESSURE REGULATOR SET 737 LE-HD/S-ES FOR CO₂

Complete solution - own medium controlled

	Model
	737LE-HD/S-ES
max. inlet pressure	CO ₂ 100 bar / 1450 PSI
outlet pressure	0.5 - 26 bar / 7 - 377 PSI
Order-No.	292-0103
Inlet	G 3/4" female with filter
Outlet	G 1" female
Kv-Value	1.65
Cv-Value	1.9
Coefficient as per DIN EN ISO 7291	Coefficient of increase in pressure after closing R = 0.36 Coefficient of unevenness I = 0.04
Temperature range	-30 °C to +70 °C
Filter	Bronze 80 µm
Pressure gauge	Stainless steel housing DIN EN ISO 5171
Housing	Stainless steel (1.4404)
Cartridge	Stainless steel (1.4404)
Membrane	CR
O-Ring	NBR
Spring	Stainless steel (1.4310)
Weight approx.	17.5 kg / 39 lb



Model	Dimensions in mm							
	A	B	C	G ₁	G ₂	H	L	S
737LE-HD/S-ES	198	79	5	3/4" F	1" F	approx. 233	178,5	48

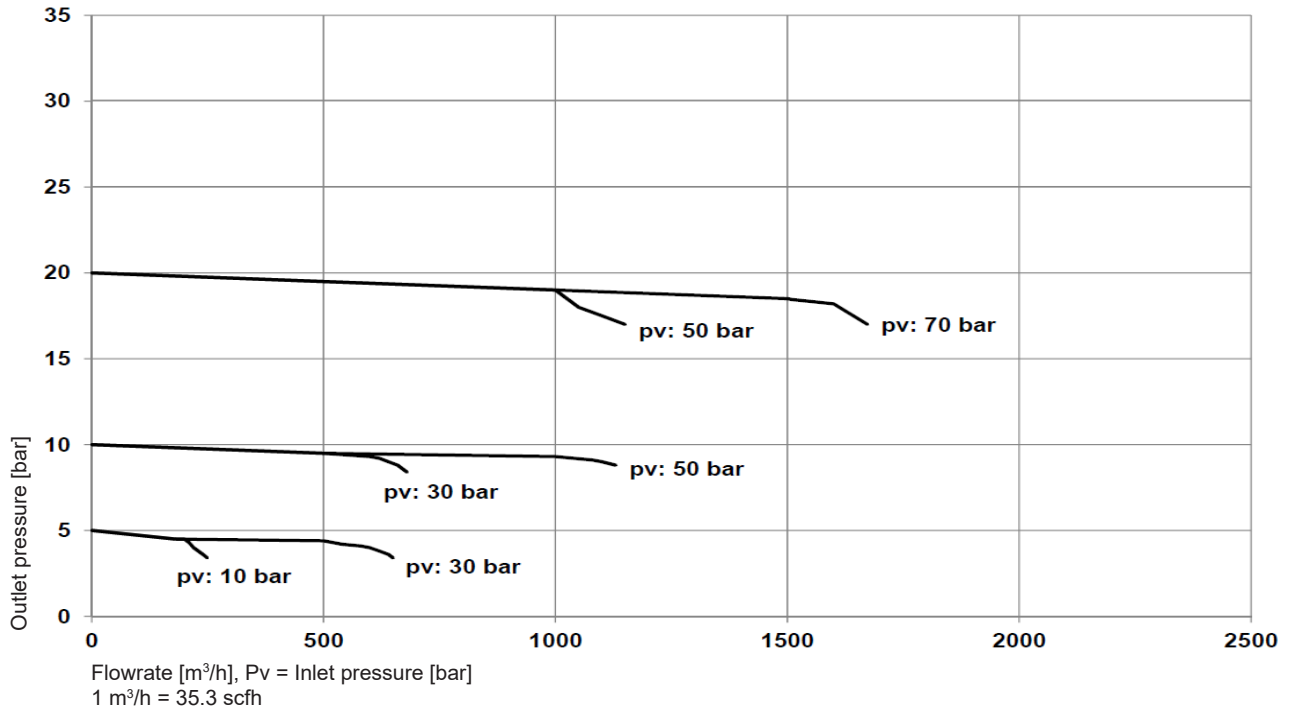


DOME PRESSURE REGULATOR SET 737 LE-HD/S-ES FOR CO₂

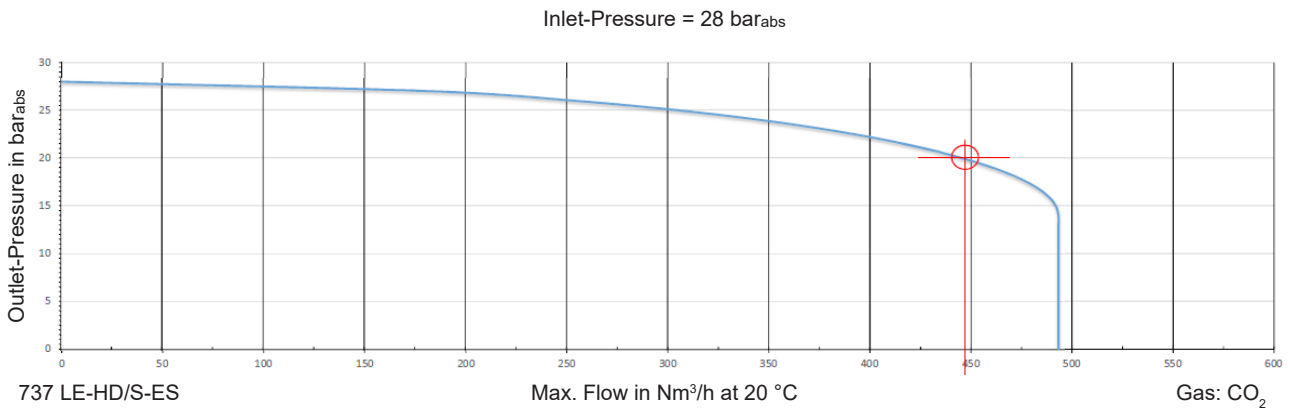
Complete solution - own medium controlled



Pressure control performance examples (N₂, 20 °C : apply conversion factor of x 0.8 for CO₂)



Flow capacity “envelope“



Example:

Inlet-Pressure: 28 bar_{abs}
 Outlet-Pressure: 20 bar_{abs}
 Max. Flow: 446 Nm³/h
 Gas: CO₂

individual graphs with your parameters upon request

DOME PRESSURE REGULATOR SET 737 LE-HD/S-ES FOR CO2
Complete solution - own medium controlled



lockable spindle cap	
Model	Order-No.
737LE-HD/S-ES	966.061400

