

WITT gas filters for reliable protection against contamination.

Benefits

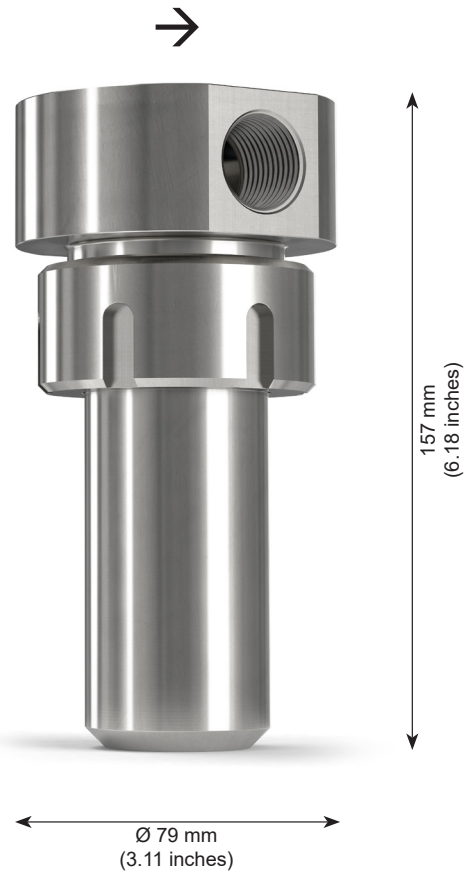
- filtering out of mechanical impurities through nickel chromium steel filter inserts
- broad range of uses – compatible with many technical gases
- change of filter possible while installed due to userfriendly design
- high flowrate thanks to flow maximising design
- reliable filtering performance increases service life of downstream fittings and equipment

Operation / Usage

- the gas filter is designed for installation in pipelines

Maintenance

- the filter inserts must be checked regularly and replaced if necessary
- suitable for hook wrench HN 10 according to DIN 1810



Approvals

Company certified according to ISO 9001
 CE-marked according to:
 - PED 2014/68/EU

Cleaned for Oxygen Service in accordance with
 EIGA 33/18 and CGA G-4.1: Cleaning of Equipment
 for Oxygen Service

Model	Max. working pressure [bar]	Material	Weight [g]	Filtering fineness	Connection [inch]		Order-No.				
					Inlet	Outlet					
HD	Acetylene (A) 25.0	Elastomer, Stainless steel	2710	80 µm	both sides G 3/4 F	187-004					
	Argon (Ar) Town gas (C) Compressed air (D) Ethylene (E) Hydrogen (H) Natural gas (M) Nitrogen (N) LPG (P) Carbon monoxide (CO) Petrol fumes Diesel fumes						300.0	2745	30 µm	both sides G 3/4 F	187-005
	Carbon dioxide (CO ₂) 100.0						both sides 3/4" NPT F				
	Oxygen (O) 50.0										
	187-004 Replacement filter inserts of nickel chromium steel, Filtering fineness 80 µm							FI-187			
	187-005 Replacement filter inserts of nickel chromium steel, Filtering fineness 30 µm							FI-187-30			