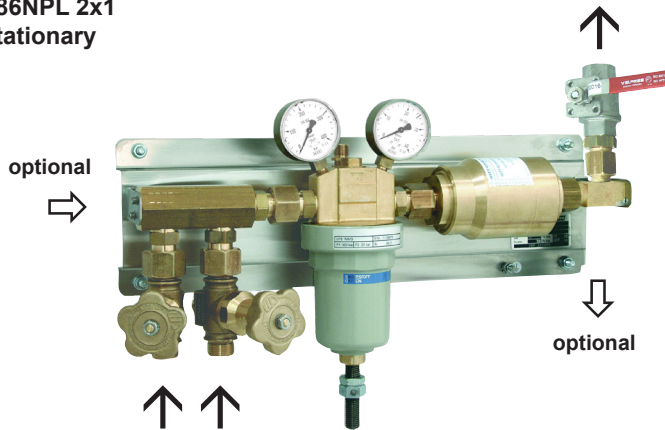


# PRESSURE REGULATING STATION 386NPL

for oxygen, fuel gas, inert gas and neutral gases,  
up to 200 m<sup>3</sup>/h (manual)

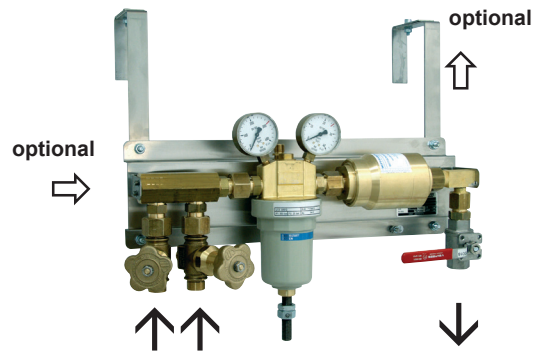
also to fit on bundles

386NPL 2x1  
stationary



Picture with special equipment

386NPL 2x1  
mobile



**WITT Pressure regulating station 1x1 or manually changeable 2x1 for central gas supplies.**  
**Every pressure regulating station 100% tested.**

### Benefits

- pressure regulating station complete, mounted and tested
- stationary or to fit on bundles
- quick and easy wall mounting
- compact robust design
- suitable for connection with bundles
- pressure regulator according to DIN EN ISO 7291

### Operation / Usage

The pressure regulating station ensures continuous gas supply and control of a pipeline, which is connected with pipeline outlets and reduces the risk of accidents. A supply by single cylinders is not available.

### Assembly

**1x1** pressure regulating station 386NPL  
**2x1** pressure regulating station 386NPL manually changeable  
maximal up to **3x1** (on request)  
consisting of:  
high pressure gate valve 1x or 2x dependant on option  
1x pressure regulator with blow off valve  
1x ball valve in the outlet  
complete mounted and tested on stainless steel plate

### Options

- flush valve
  - second outlet and/or up to 60 bar outlet pressure (special equipment)
  - flexible hose standards for connection of pressure regulating station with gas supply (cylinder, gas cylinder manifolds, bundles, ...), adaptor suitable for bundle connections
  - screw connection for pipe (soldering end, WITTFIX, welding end)
  - pressure gauge with contacts
  - safety device 85-30 according to DIN EN ISO 5175-1 against gas backflow and flashback
- Other connections available upon request

### Approvals

Company certified according to ISO 9001  
Designed for Oxygen Service in accordance with EIGA 13/20 and CGA G-4.4: Oxygen Pipeline and Piping Systems  
Cleaned for Oxygen Service in accordance with EIGA 33/18 and CGA G-4.1: Cleaning of Equipment for Oxygen Service

**Please identify the individual gas at the time of enquiring!**

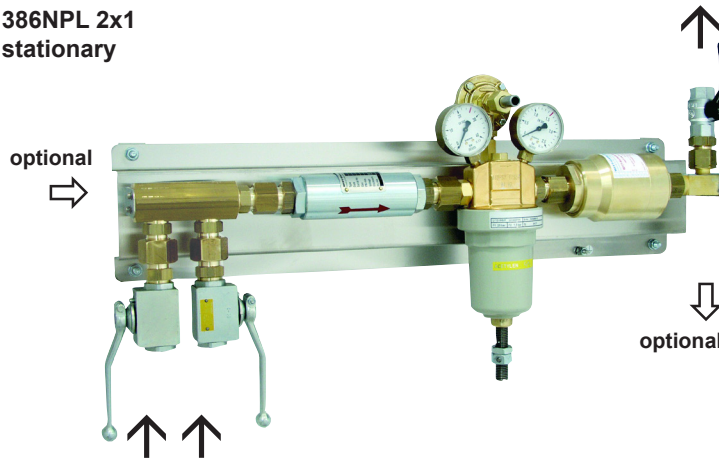
Technical Data			
Type		1x1	2x1
Order-No.	inert gas oxygen fuel gas neutr. gases	195-001	195-002
p <sub>v</sub> max.	[bar]	300	
p <sub>H</sub> max. (static)	[bar]	5 - 20	
Q max. (at 20 bar)	[m <sup>3</sup> /h]	200	
<b>Connections</b>			
Inlet		M OR	G 3/4
Outlet		RH F	G 3/4
<b>Dimensions</b>			
Height	[mm]	353	
Width	[mm]	368 - 535	
Depth	[mm]	208	
<b>Weight</b>	[kg]	16.5	17.0

Flow of pressure regulator (in Nm <sup>3</sup> /h) in relation to air			
Inlet pressure p <sub>vmax</sub> in barg	Outlet pressure P <sub>H</sub> in barg		
	6	12	18
40	350	320	340
20	180	170	105
10	85	-	-

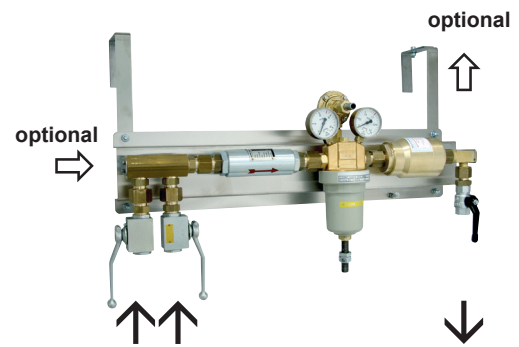
# PRESSURE REGULATING STATION 386NPL for acetylene, up to 30 m<sup>3</sup>/h (manual)

also to fit on bundles

386NPL 2x1  
stationary



386NPL 2x1  
mobile



**WITT Pressure regulating station 1x1 or manually changeable 2x1 for central gas supplies.  
Every pressure regulating station 100% tested.**

### Benefits

- pressure regulating station complete, mounted and tested
- stationary or to fit on bundles
- quick and easy wall mounting
- compact robust design
- suitable for connection with bundles
- pressure regulating station according to DIN EN ISO 14114
- pressure regulator according to DIN EN ISO 7291

### Operation / Usage

The pressure regulating station ensures continuous gas supply and control of a pipeline, which is connected with pipeline outlets and reduces the risk of accidents. A supply by single cylinders is not available.

### Assembly

1x1 pressure regulating station 386NPL

2x1 pressure regulating station 386NPL manually changeable

consisting of:

2/2-way high pressure gate valve 1x or 2x dependant on option

1x Automatic quick acting shut-off device HDS17 according to TRAC 207 Nr. 11.2 and EN ISO 15615

1x pressure regulator with blow off valve

1x safety device 85-30 according to DIN EN ISO 5175-1 against gas backflow and flashback

1x ball valve in the outlet

complete mounted and tested on stainless steel plate

Other connections available on request

### Options

- flexible hose standards (**BAM certified**) for connection of pressure regulating station with gas supply (cylinder, bundles, ...), adaptor suitable for bundle connection
- pressure gauge with contacts

### Approvals

Company certified according to ISO 9001

Technical Data		
Type	1x1	2x1
Order-No.	195-001-001	195-002-001
p <sub>V</sub> max.	[bar]	25
p <sub>H</sub> max. (static)	[bar]	0 - 1.5
Q max. (at 1.5 bar)	[m <sup>3</sup> /h]	30
<b>Connections</b>		
Inlet	RH F	G 1/2
Outlet	RH F	G 3/4
<b>Dimensions</b>		
Height	[mm]	353
Width	[mm]	750
Depth	[mm]	231
<b>Weight</b>	[kg]	approx. 20

Flow of pressure regulator (in Nm <sup>3</sup> /h) in relation to air				
Inlet pressure p <sub>Vmax</sub> in barg	Outlet pressure P <sub>H</sub> in barg			
	0.5	1.0	1.2	1.5
18	95	100	105	110
10	60	64	66	69
4	18	24	26	28
2	17	16	14	12