

# PRESSURE REGULATOR ADR 150F for acetylene

Powerful manifold pressure regulator to regulate high flows at acetylene cylinder manifolds or bundles (packs).

### Benefits

- integrated relief valve (according to ISO 7291)
- 150 m<sup>3</sup>/h flow capacity
- integrated relief valve and outlet pressure gauge
- requires no additional pilot gas

### Operation / Usage

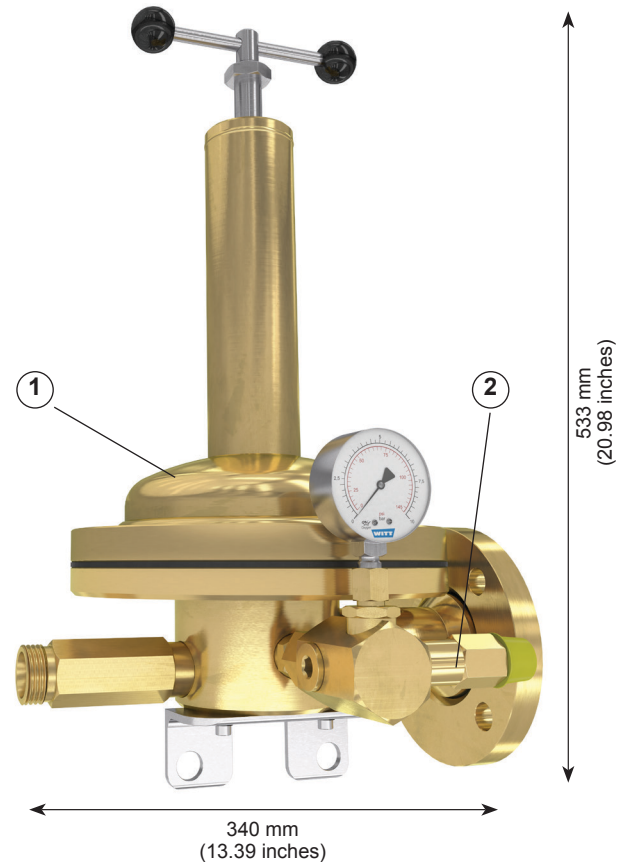
The ADR 150F for acetylene is used to reduce high pressure to working pressure in acetylene supplies as required in EN 14114.

### Function

The ADR 150F is a spring loaded pressure regulator. The required pipeline pressure is adjusted by the spindle.

### Maintenance

It is recommended that a leak check to atmosphere at regular intervals be conducted. Repairs are only to be carried out by the manufacturer.

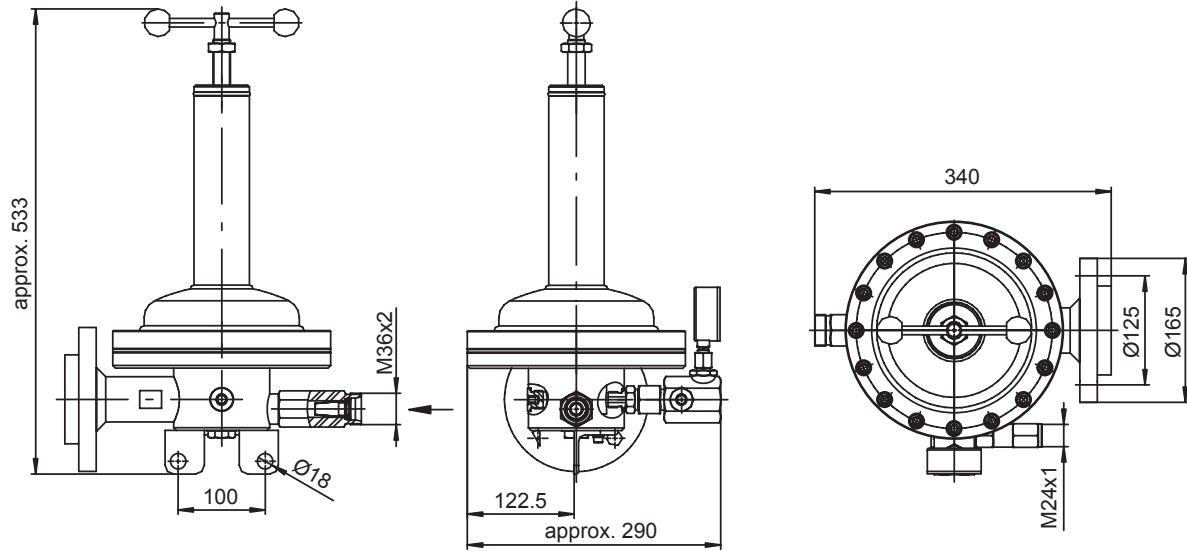


### Approvals

Company certified according to ISO 9001 and PED 2014/68/EU Module H  
CE-marked according to:  
- PED 2014/68/EU, category III, Safety accessories

	Pressure regulator	
	Pressure regulator ①	Relief valve ②
<b>Type</b>	spring loaded	spring-loaded with connecting thread for venting pipe
<b>Gas</b>	acetylene	acetylene
<b>max. inlet pressure</b>	25 bar	
<b>Outlet pressure</b>	up to 1.5 bar	
<b>Nominal gas flow capacity</b>	at 0.6 bar outlet pressure 96 m <sup>3</sup> /h at 1.5 bar outlet pressure 150 m <sup>3</sup> /h	
<b>Inlet</b>	M36x2, solderless pipe coupler, drill hole form W - heavy series S DN 25 - DIN 3861	
<b>Filter</b>	stainless steel, filter mesh 100 µm	
<b>Relief valve capacity</b>		according to nominal gasflow capacity
<b>Outlet</b>	flange, DN 50 – PN 40, DIN 2656	M24x1 female thread
<b>Materials</b>	brass, stainless steel, steel, elastomer	brass, stainless steel, elastomer
<b>Weight</b>	approx. 27 kg	

# PRESSURE REGULATOR ADR 150F for acetylene



Dimensions in mm

