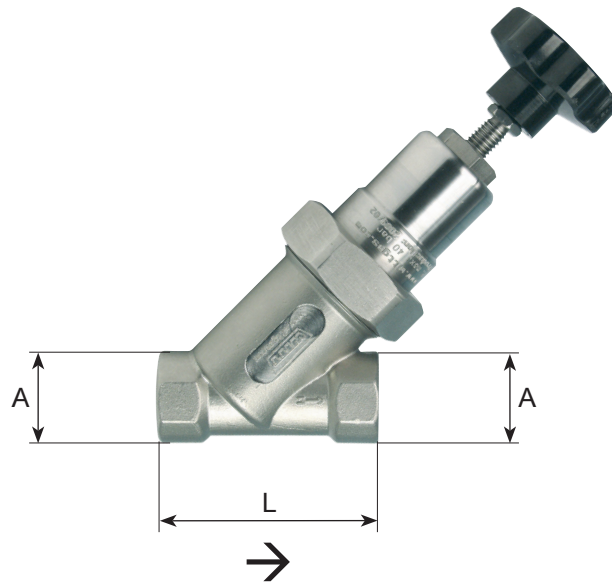


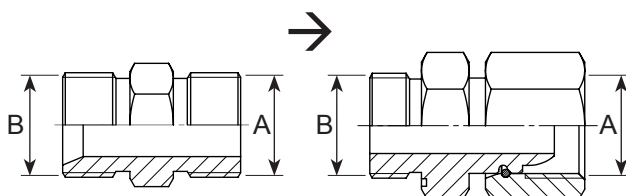
SHUT-OFF VALVE for oxygen



Approvals
EN 9539

A Connection	L Length [mm]	Weight [g]	Material	Max. working pressure [bar]	Order-No.
1/2"	65	-	stainless steel	Oxygen (O) 25.0	on request
3/4"	75	1 030			800721400
1"	90	1 200			803059700
1.1/4"	110	1 800			800842200
1.1/2"	120	-			on request

Inlet- and outlet connections
(sealing by screw thread with sealing tange)



Connection EN 560		Order-No.
B Inlet	A Outlet	
G 3/4 M with cone	G 3/4 M with cone	952023700
G 3/4 M	G 3/4 nut	100011116

Other connections available upon request