

DOME PRESSURE REGULATOR SET 737 LE-HD/S

Complete solution - own medium controlled



High-performance dome-loaded pressure regulator-set.

For high and varying flows requiring maximum pressure stability.

A complete solution, applicable as a manifold pressure regulator per DIN EN ISO 7291.

Features

- **Pilot Control Tube (PCT)**
One of the features enabling highly accurate control of outlet pressure
- **Balanced Seat Design (BSD)**
Further enabling control precision, high reliability and low maintenance
- **A complete solution, ready to use**
With integrated pilot pressure regulator, and stainless steel pressure gauges, completely assembled and tested
- **Own-medium controlled**
Enabling autonomous operation
- **Closed system**
No gas is released to atmosphere
- **Simple to install and operate**
Removable spindle enables simple setting of the required outlet pressure
Can be positioned at any angle/orientation
For indoor and outdoor installation.

Maintenance

Annual testing of body leak tightness is recommended. Depending on application, moving wetted parts may need periodic replacement.

Device-specific Maintenance-Kit available upon request.

Approvals

Company certified according to ISO 9001, ISO 22000 and PED 2014/68/EU Module H

CE-marked according to PED 2014/68/EU

ATEX 2014/34/EU with ignition hazard analysis according to EN 1127-1, DIN EN 13463-1 and ZH1/200

Analyzed for Food Safety per HACCP-Analysis

Fulfills the requirements of EU Regulations (EC) 1935/2004, and (EC) 2023/2006

Fulfills the requirements of German Food and Feed (LFGB) Law, and is suitable for contact with food gases

Operation / Usage

Ideal for process gas supply where pressure accuracy is required even when inlet pressures and flow rates are varying.

High flow rates and outlet pressure accuracy are achieved, even when the difference between inlet and outlet pressures is small.

Own-medium controlled, with integrated pilot gas regulator, meaning no separate gas supply is required.

Available upon request

Lockable spindle cap

Certificates and test reports

Other Dome types

Switchover systems/parallel supply systems

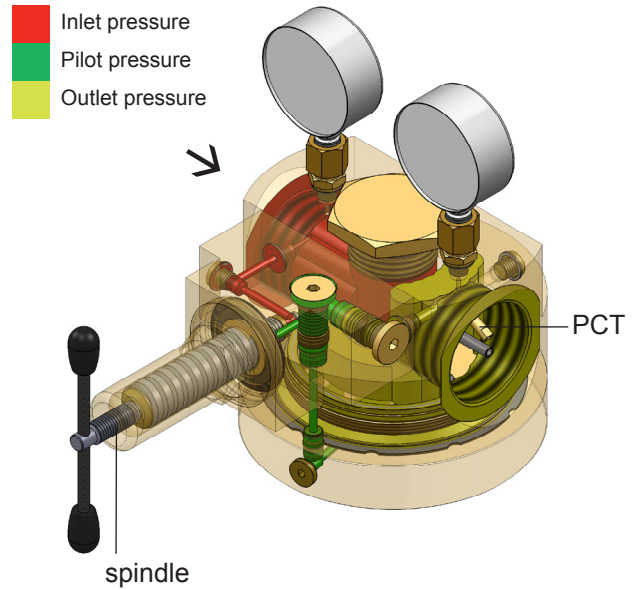
Customer-specific/customized versions

DOME PRESSURE REGULATOR SET 737 LE-HD/S

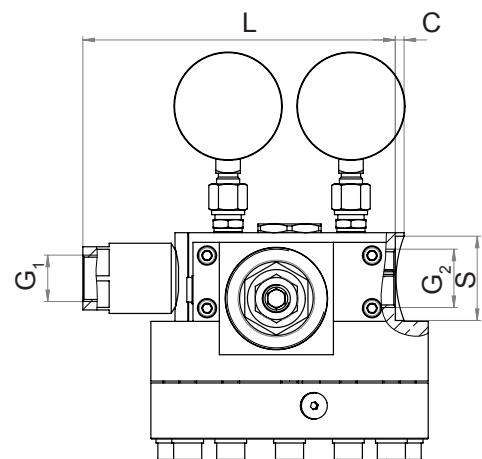
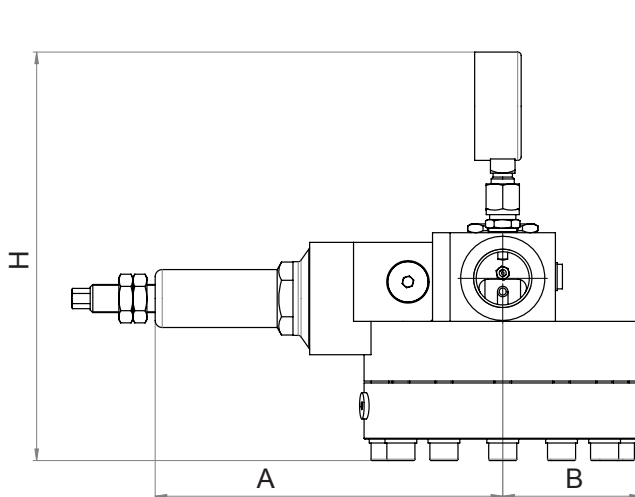
Complete solution - own medium controlled



| | Model | | |
|------------------------------------|--|--|-------------------------|
| | 737LE-HD/S | | |
| max. inlet pressure | CO ₂ 363 PSI | O ₂ 2901 PSI Burn out test BAM Report AZ 17055507 | other gases 4351 PSI |
| outlet pressure | 7 - 870 PSI | | |
| Order-No. | 292-0004 | | |
| Inlet | G 3/4" female with filter | | |
| Outlet | G 1" female | | |
| Kv-Value | 1.65 | | |
| Cv-Value | 1.9 | | |
| Coefficient as per DIN EN ISO 7291 | Coefficient of increase in pressure after closing R = 0.27 Coefficient of unevenness I = 0.32 | | |
| Temperature range | -22 °F to +122 °F | | |
| Filter | Bronze 80 µm | | |
| Pressure gauge | Stainless steel housing DIN EN ISO 5171 | | |
| Housing | Brass | | |
| Cartridge | Stainless steel (1.4305) | | |
| Membrane | CR | | |
| O-Ring | NBR | | |
| Spring | Stainless steel (1.4310) | | |
| Weight approx. | 39 lb | | |



| Model | Dimensions in inches | | | | | | | |
|------------|----------------------|------|------|----------------|----------------|--------------|------|------|
| | A | B | C | G ₁ | G ₂ | H | L | S |
| 737LE-HD/S | 7.8 | 3.11 | 0.67 | 3/4" F | 1" F | approx. 9.17 | 7.01 | 1.89 |



DR2.3b USA - B01/18 subject to change

For more pressure regulators visit www.wittgas.us

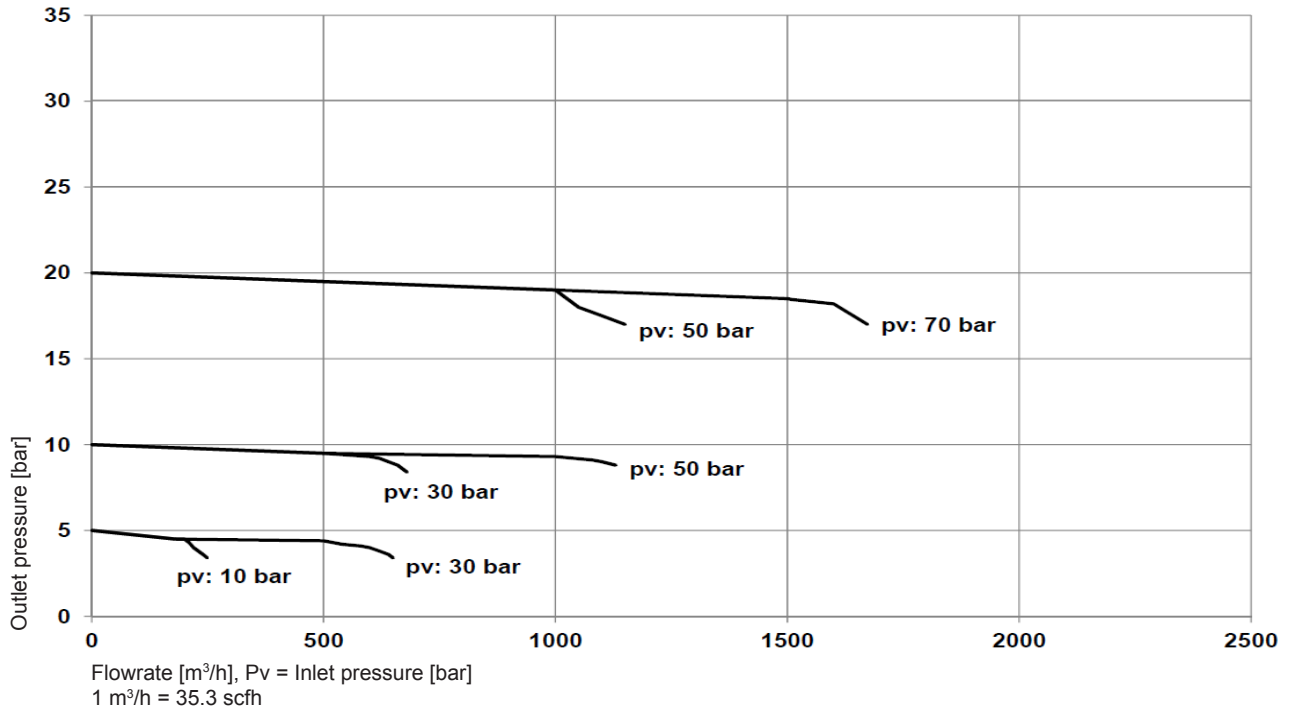
WITT Gas Controls LP, 3080 Northfield Place, Suite 111, Roswell, GA 30076, Tel. +1 770-664-4447, Fax +1 770-664-4448
witt-usa@wittgas.com www.wittgas.us

DOME PRESSURE REGULATOR SET 737 LE-HD/S

Complete solution - own medium controlled



Pressure control performance examples (N₂, 68°F : apply conversion factor of x 0.8 for CO₂)



| Repair-Kit | |
|------------|------------|
| Model | Part No. |
| 737LE-HD/S | 962.000084 |

| lockable spindle cap | |
|----------------------|------------|
| Model | Part No. |
| 737LE-HD/S | 966.061400 |

